

# STUDIO KALFF COLLECTION

---

---

STUDIO KALFF

[WWW.STUDIOKALFF.COM](http://WWW.STUDIOKALFF.COM)

ROOS KALFF  
+31 (0) 6 22 66 0992

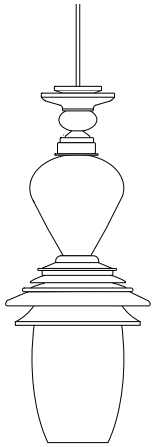
[INFO@STUDIOKALFF.COM](mailto:INFO@STUDIOKALFF.COM)

STUDIO: ZAMENHOFSTRAAT 150 / UNIT 318  
1022 AG AMSTERDAM, NL

ONLY BY APPOINTMENT

## JULIET PENDANT LIGHT LARGE

---



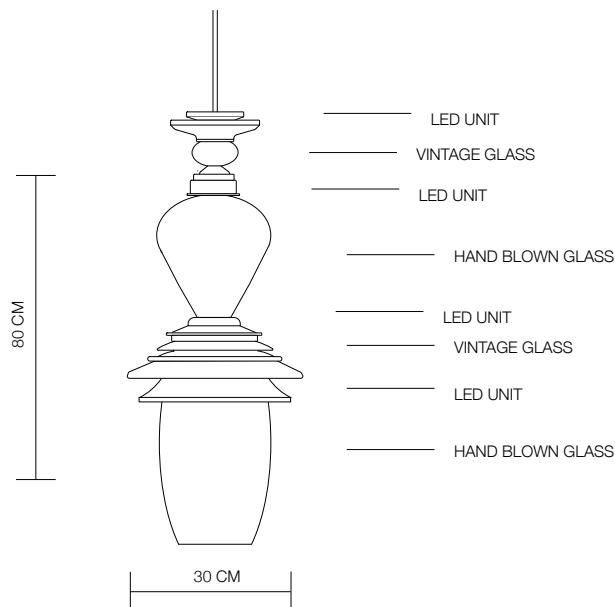
All *Juliet* lights are unique. All are hand and custom made of vintage glass and handblown glass. The colour of the glass can be adapted to your wishes.

LED units have been integrated on four different levels which evenly illuminates the entire pendant light.

All STUDIO KALFF pieces are handmade in our Amsterdam based studio, The Netherlands.



# JULIET PENDANT LIGHT LARGE



PRODUCT NAME

*JULIET* PENDANT LIGHT LARGE

MATERIAL

VINTAGE GLASS & HAND BLOWN GLASS

DIMENSIONS

HEIGHT 80 CM, DIAMETER 30 CM, WEIGHT  $\pm$ 7 KG

LIGHT SOURCE

4X LED UNITS, 4 LEVELS, INCL. DIMMABLE DRIVER CONFORM CE STANDARD, 800 LM, 8 WATT, DIM TO WARM 2200-2700K

CEILING ROSE

WHITE CERAMIC OR METAL CEILING PLATE FOR MULTIPLE LIGHTS

ELECTRIC CORD

GOLD TWISTED CORD, STANDARD 1.5 METERS, STEEL CABLE

ADDITIONAL INFO

COLOURS IN CONSULTATION

STUDIO KALFF

[WWW.STUDIOKALFF.COM](http://WWW.STUDIOKALFF.COM)

ROOS KALFF  
+31 (0) 6 22 66 0992

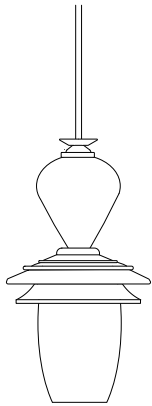
[INFO@STUDIOKALFF.COM](mailto:INFO@STUDIOKALFF.COM)

STUDIO: ZAMENHOFSTRAAT 150 / UNIT 318  
1022 AG AMSTERDAM, NL

ONLY BY APPOINTMENT

## JULIET PENDANT LIGHT MEDIUM

---



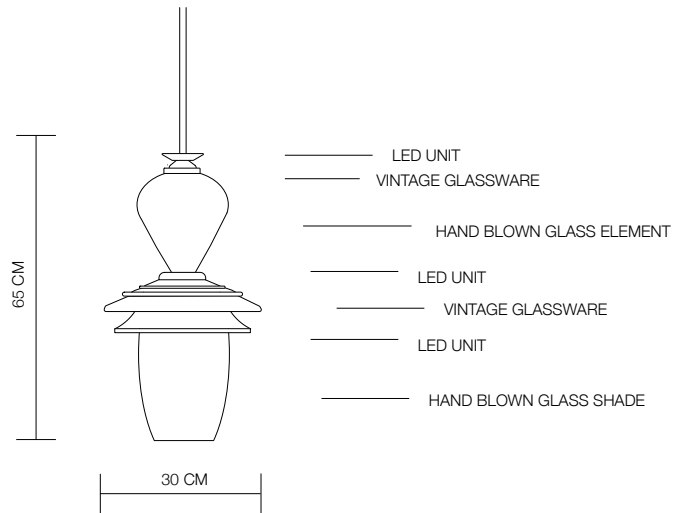
All *Juliet* lights are unique. All are hand and custom made of vintage glass and handblown glass. The colour of the glass can be adapted to your wishes.

LED units have been integrated on three different levels which evenly illuminates the entire pendant light.

All STUDIO KALFF pieces are handmade in our Amsterdam based studio, The Netherlands.



# JULIET PENDANT LIGHT MEDIUM



PRODUCT NAME

*JULIET* PENDANT LIGHT MEDIUM

MATERIAL

VINTAGE GLASSWARE & HAND BLOWN GLASS

DIMENSIONS

HEIGHT 65 CM, DIAMETER 30 CM, WEIGHT 6 KG

LIGHT SOURCE

4X LED UNITS, 3 LEVELS, INCL. DIMMABLE DRIVER CONFORM CE STANDARD, 800 LM, 8 WATT, DIM TO WARM 2200-2700K

CEILING ROSE

WHITE CERAMIC OR METAL CEILING PLATE FOR MULTIPLE LIGHTS

ELECTRIC CORD

GOLD TWISTED CORD, STANDARD 1.5 METERS, STEEL CABLE

ADDITIONAL INFO

COLOURS IN CONSULTATION

STUDIO KALFF

[WWW.STUDIOKALFF.COM](http://WWW.STUDIOKALFF.COM)

ROOS KALFF  
+31 (0) 6 22 66 0992

[INFO@STUDIOKALFF.COM](mailto:INFO@STUDIOKALFF.COM)

STUDIO: ZAMENHOFSTRAAT 150 / UNIT 318  
1022 AG AMSTERDAM, NL

ONLY BY APPOINTMENT

## JULIET PENDANT LIGHT JUNIOR

---



All *Juliet* lights are unique but quite similar. All are hand and custom made of vintage glass, hand blown glass and a ceramic element. The colour of the glass can be adapted to your wishes.

All STUDIO KALFF pieces are handmade in our Amsterdam based studio, The Netherlands.



---

STUDIO KALFF

[WWW.STUDIOKALFF.COM](http://WWW.STUDIOKALFF.COM)

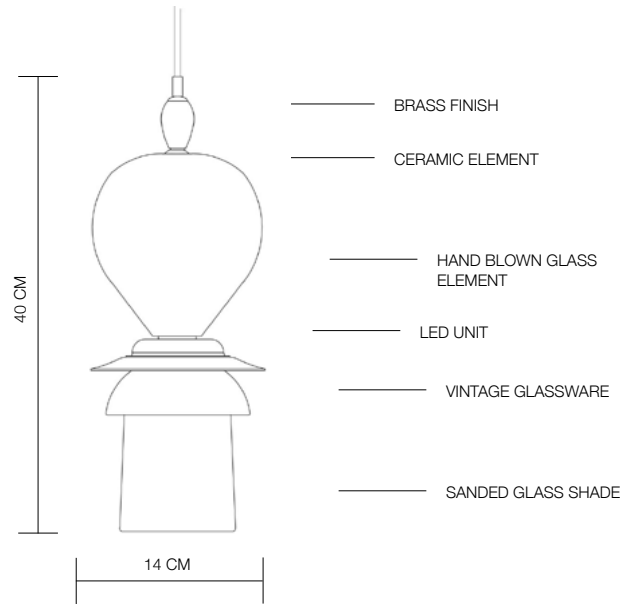
ROOS KALFF  
+31 (0) 6 22 66 0992

[INFO@STUDIOKALFF.COM](mailto:INFO@STUDIOKALFF.COM)

STUDIO: ZAMENHOFSTRAAT 150 / UNIT 318  
1022 AG AMSTERDAM, NL

ONLY BY APPOINTMENT

# JULIET PENDANT LIGHT JUNIOR



PRODUCT NAME *JULIET* PENDANT LIGHT JUNIOR

MATERIAL VINTAGE GLASS & HAND BLOWN GLASS

DIMENSIONS HEIGHT 40 CM, DIAMETER 14 CM, WEIGHT 1.5 KG

LIGHT SOURCE DOUBLE SIDED LED UNIT, INCL. DIMMABLE DRIVER CONFORM CE STANDARD, 400 LM, 4W, DIM TO WARM 2200-2700K

CEILING ROSE WHITE CERAMIC OR METAL CEILING PLATE FOR MULTIPLE LIGHTS

ELECTRIC CORD GOLD TWISTED CORD, STANDARD 1.5 METERS, FINISH IN BRASS

ADDITIONAL INFO COLOURS IN CONSULTATION

STUDIO KALFF

[WWW.STUDIOKALFF.COM](http://WWW.STUDIOKALFF.COM)

ROOS KALFF  
+31 (0) 6 22 66 0992

[INFO@STUDIOKALFF.COM](mailto:INFO@STUDIOKALFF.COM)

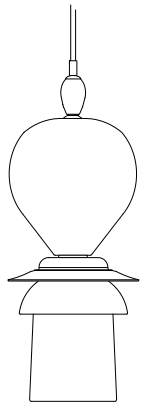
STUDIO: ZAMENHOFSTRAAT 150 / UNIT 318  
1022 AG AMSTERDAM, NL

ONLY BY APPOINTMENT



## JULIET PENDANT LIGHT SMALL

---



All *Juliet* lights are unique but quite similar. All are hand and custom made of vintage glass, hand blown glass and a ceramic element. The colour of the glass can be adapted to your wishes.

All STUDIO KALFF pieces are handmade in our Amsterdam based studio, The Netherlands.



STUDIO KALFF

[WWW.STUDIOKALFF.COM](http://WWW.STUDIOKALFF.COM)

ROOS KALFF  
+31 (0) 6 22 66 0992

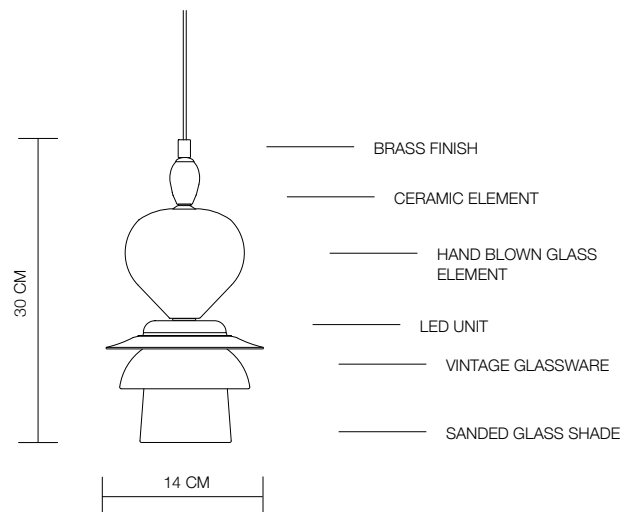
[INFO@STUDIOKALFF.COM](mailto:INFO@STUDIOKALFF.COM)

STUDIO: ZAMENHOFSTRAAT 150 / UNIT 318  
1022 AG AMSTERDAM, NL

ONLY BY APPOINTMENT



# JULIET PENDANT LIGHT SMALL



PRODUCT NAME *JULIET* PENDANT LIGHT SMALL

MATERIAL VINTAGE GLASS & HAND BLOWN GLASS

DIMENSIONS HEIGHT 30 CM, DIAMETER 14 CM, WEIGHT 1,5 KG

LIGHT SOURCE DOUBLE SIDED LED UNIT, INCL. DIMMABLE DRIVER CONFORM CE STANDARD, 400 LM, 4W, DIM TO WARM 2200-2700K

CEILING ROSE WHITE CERAMIC OR METAL CEILING PLATE FOR MULTIPLE LIGHTS

ELECTRIC CORD GOLD TWISTED CORD, STANDARD 1.5 METERS, FINISH IN BRASS

ADDITIONAL INFO COLOURS IN CONSULTATION

STUDIO KALFF

[WWW.STUDIOKALFF.COM](http://WWW.STUDIOKALFF.COM)

ROOS KALFF  
+31 (0) 6 22 66 0992

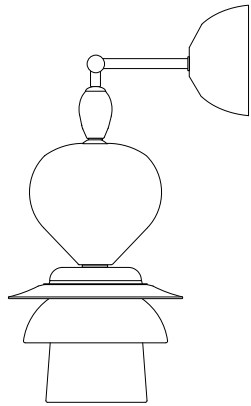
[INFO@STUDIOKALFF.COM](mailto:INFO@STUDIOKALFF.COM)

STUDIO: ZAMENHOFSTRAAT 150 / UNIT 318  
1022 AG AMSTERDAM, NL

ONLY BY APPOINTMENT

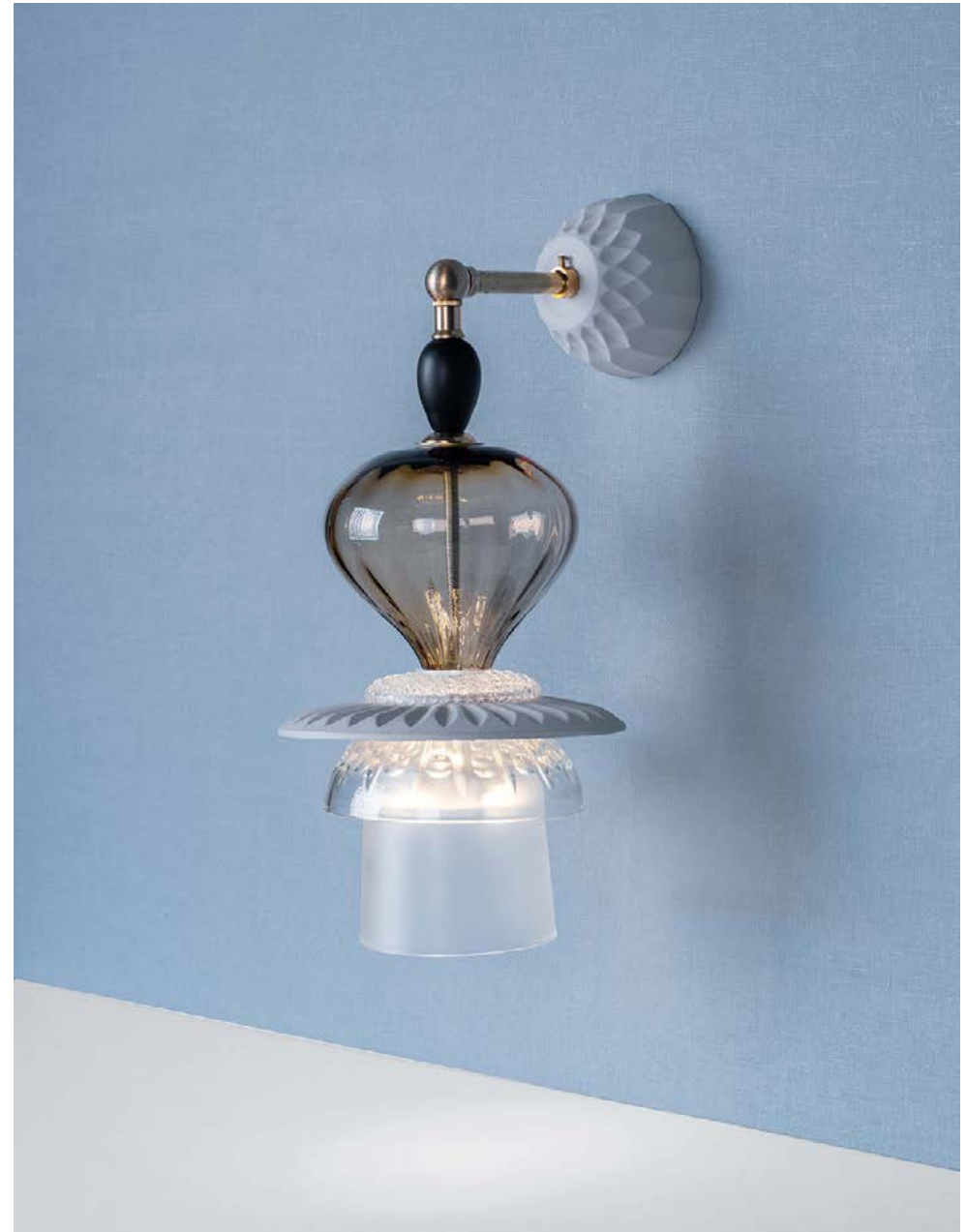
## JULIET WALL LIGHT SMALL

---

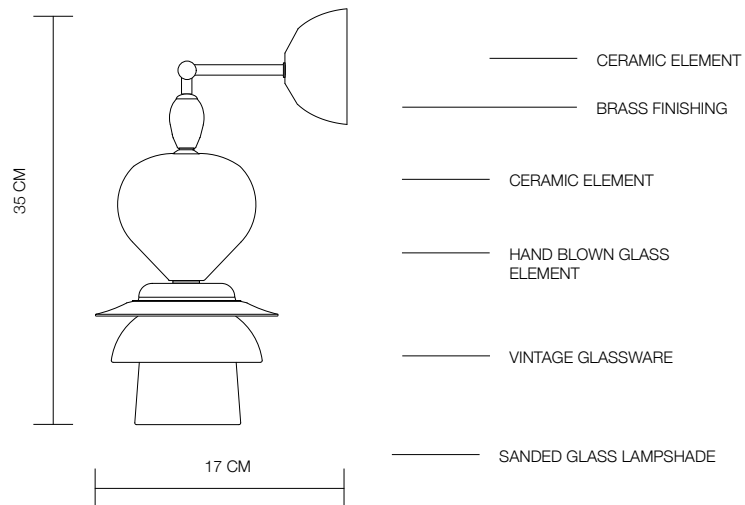


All *Juliet* lights are unique pieces. All are hand and custom made of vintage glass and hand blown glass and a ceramic element. The colour of the glass and the ceramic can be adapted to your wishes.

All STUDIO KALFF pieces are handmade in our Amsterdam based studio, The Netherlands.



# JULIET WALL LIGHT SMALL



PRODUCT NAME

*JULIET WALL LIGHT SMALL*

MATERIAL

VINTAGE GLASSWARE & NEW HAND BLOWN GLASS

DIMENSIONS

HEIGHT 35 CM

LIGHT SOURCE

DOUBLE SIDED LED UNIT, INCL. DIMMABLE DRIVER CONFORM CE STANDARD, 400 LM, 4W, DIM TO WARM 2200-2700K

CERAMIC PARTS

COLOUR ACCORDING FARROW&BALL

ADDITIONAL INFO

COLOURS IN CONSULTATION

STUDIO KALFF

[WWW.STUDIOKALFF.COM](http://WWW.STUDIOKALFF.COM)

ROOS KALFF  
+31 (0) 6 22 66 0992

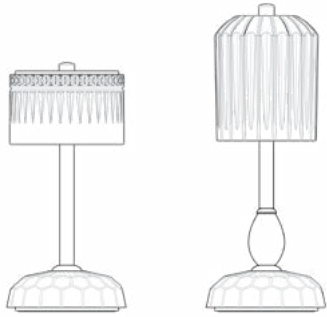
[INFO@STUDIOKALFF.COM](mailto:INFO@STUDIOKALFF.COM)

STUDIO: ZAMENHOFSTRAAT 150 / UNIT 318  
1022 AG AMSTERDAM, NL

ONLY BY APPOINTMENT

## LOUIS PORTABLE LIGHT

---

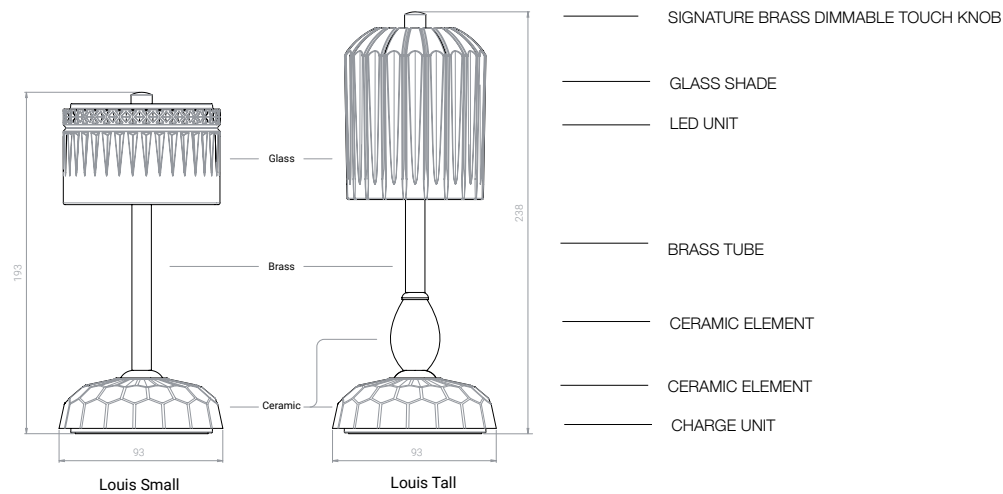


Louis is a portable light, which works very well at a dinner table as a replacement of a candle or any place which needs a dash of light. Dimmable by touch.

All STUDIO KALFF pieces are handmade in our Amsterdam based studio, The Netherlands.



# LOUIS PORTABLE LIGHT

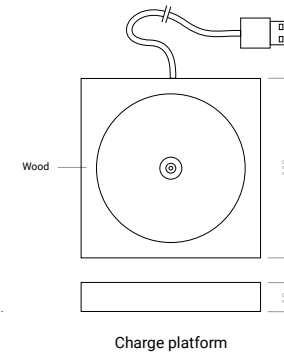


## Measurements

Light source: LED  
 Color temp.: 1800K  
 Battery: Li-Ion 1100mAh  
 Run time: 8-80 hrs.  
 Charge time: 3-4 hrs.  
 Touch operation, dimmable

## Charge platform

Power connection: USB-A  
 Power cord length: 1m  
 Magnetic charge connector automatically connects with lamp when placed on platform.



PRODUCT NAME

*LOUIS*

MATERIAL

GLASS, BRASS & CERRAMIC

DIMENSIONS

LOUIS SMALL: HEIGTH 193 MM, DIAMETER 93 MM, WEIGHT 1 KG | LOUIS TALL: HEIGTH 238 MM, DIAMETER 93 MM, WEIGHT 1 KG

LIGHT SOURCE

LED, RUN TIME 8-80 HRS, CHARGE TIME 3-4 HRS, TOUCH OPERATION, DIMMABLE , COL TEMP 1800K

CHARGE PLATFORM

POWER CONNECTION USB-A, POWER CORD LENGTH 1M

CHARGE PLATFORM MATERIAL

OAK WOOD WITH A MAGNETIC CHARGE CONNECTOR CONNECTS AUTOMATICALLY WITH LAMP WHEN PLACED ON PLATFORM

ADDITIONAL INFO

STUDIO KALFF

WWW.STUDIOKALFF.COM

ROOS KALFF  
 +31 (0) 6 22 66 0992

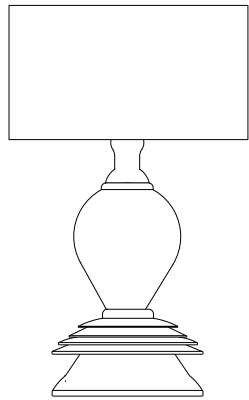
INFO@STUDIOKALFF.COM

STUDIO: ZAMENHOFSTRAAT 150 / UNIT 318  
 1022 AG AMSTERDAM, NL

ONLY BY APPOINTMENT

## TABLE LAMP

---



All lamps are a combination of vintage glass and hand blown glass elements. All lamps are unique and therefore can be different in shape, colour and size and each lamp can be adapted to your wishes.

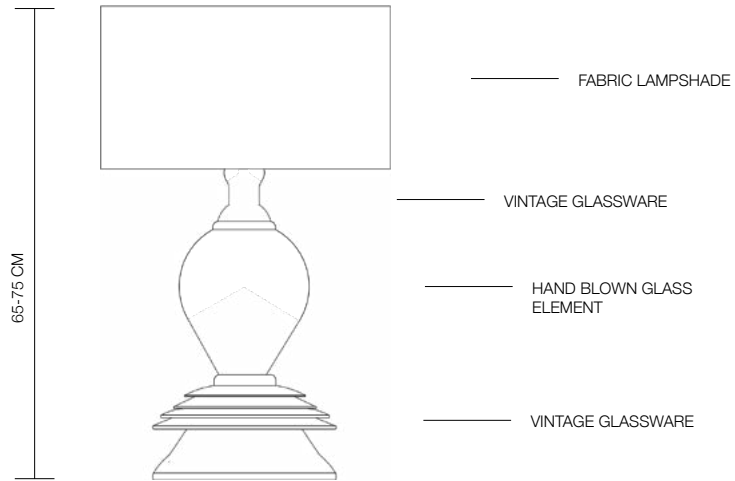
Available in a variety of colours and shapes.

All STUDIO KALFF pieces are handmade in our Amsterdam based studio, The Netherlands.



# TABLE LAMP

---



PRODUCT NAME

TABLE LAMP

MATERIAL

VINTAGE & HAND BLOWN GLASS

DIMENSIONS

HEIGHT 65-75 CM

FABRIC LAMPSHADE

CHIVASSO OXENTINA

SIZE LAMPSHADE

40X22 CM (WXH) - 30X25 CM (WXH)

LIGHT SOURCE

E27 (EUROPE)

ADDITIONAL INFO

COLOURS, SHAPES AND SIZES IN CONSULTATION

---

STUDIO KALFF

[WWW.STUDIOKALFF.COM](http://WWW.STUDIOKALFF.COM)

ROOS KALFF  
+31 (0) 6 22 66 0992

[INFO@STUDIOKALFF.COM](mailto:INFO@STUDIOKALFF.COM)

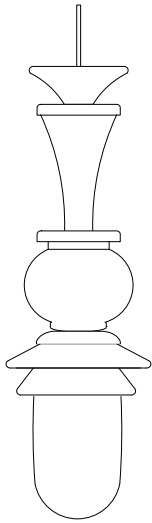
STUDIO: ZAMENHOFSTRAAT 150 / UNIT 318  
1022 AG AMSTERDAM, NL

ONLY BY APPOINTMENT



## DROPLET PENDANT LIGHT

---



All *Droplights* lights are unique and are hand and custom made of vintage glass elements. The colour of the glass can be adapted to your wishes.

All STUDIO KALFF pieces are handmade in our Amsterdam based studio, The Netherlands.



---

STUDIO KALFF

[WWW.STUDIOKALFF.COM](http://WWW.STUDIOKALFF.COM)

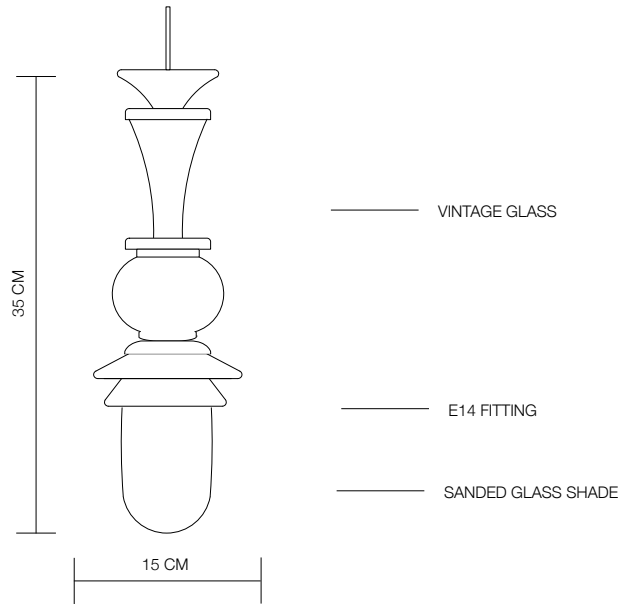
ROOS KALFF  
+31 (0) 6 22 66 0992

[INFO@STUDIOKALFF.COM](mailto:INFO@STUDIOKALFF.COM)

STUDIO: ZAMENHOFSTRAAT 150 / UNIT 318  
1022 AG AMSTERDAM, NL

ONLY BY APPOINTMENT

# DROPLET PENDANT LIGHT



PRODUCT NAME *DROPLET PENDANT LIGHT*

MATERIAL VINTAGE GLASS

DIMENSIONS HEIGHT 35 CM, DIAMETER 15 CM, WEIGHT 1.5 KG

LIGHT SOURCE E14 FITTING

CEILING ROSE WHITE CERAMIC OR METAL CEILING PLATE FOR MULTIPLE LIGHTS

ELECTRIC CORD GOLD TWISTED CORD, STANDARD 1.5 METERS, FINISH IN BRASS

ADDITIONAL INFO COLOURS IN CONSULTATION

STUDIO KALFF

[WWW.STUDIOKALFF.COM](http://WWW.STUDIOKALFF.COM)

ROOS KALFF  
+31 (0) 6 22 66 0992

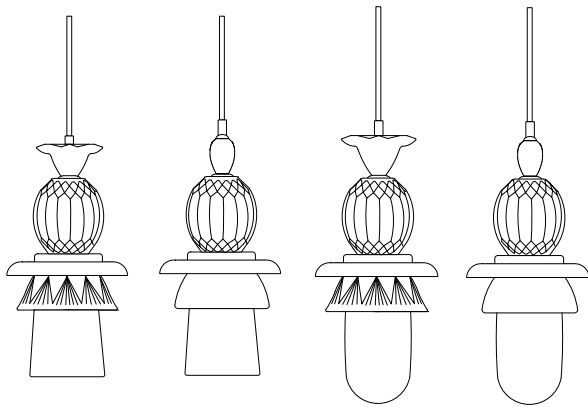
[INFO@STUDIOKALFF.COM](mailto:INFO@STUDIOKALFF.COM)

STUDIO: ZAMENHOFSTRAAT 150 / UNIT 318  
1022 AG AMSTERDAM, NL

ONLY BY APPOINTMENT

## DROPLET PENDANT LIGHT CERAMIC

---



All *Droplet* pendant ceramic lights are made of vintage glass and ceramic elements. The lamp shade can be open or closed.

All STUDIO KALFF pieces are handmade in our Amsterdam based studio, The Netherlands.



STUDIO KALFF

[WWW.STUDIOKALFF.COM](http://WWW.STUDIOKALFF.COM)

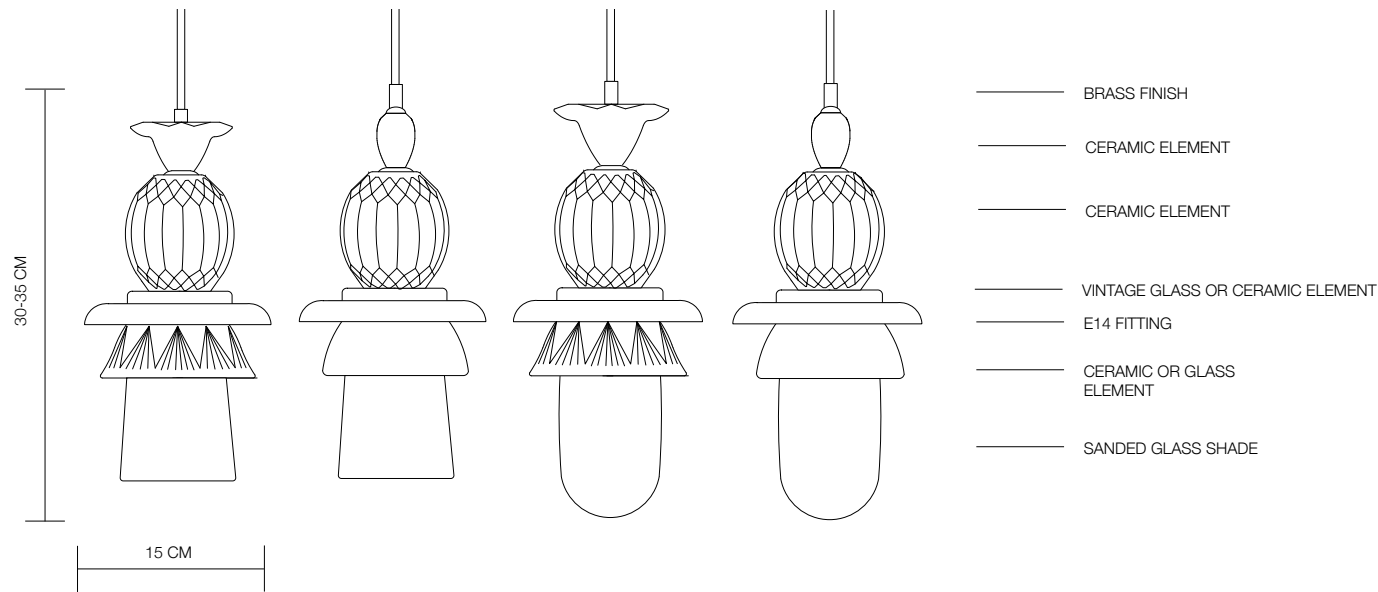
ROOS KALFF  
+31 (0) 6 22 66 0992

[INFO@STUDIOKALFF.COM](mailto:INFO@STUDIOKALFF.COM)

STUDIO: ZAMENHOFSTRAAT 150 / UNIT 318  
1022 AG AMSTERDAM, NL

ONLY BY APPOINTMENT

# DROPLET PENDANT LIGHT CERAMIC



PRODUCT NAME

*DROPLET PENDANT LIGHT CERAMIC*

MATERIAL

VINTAGE GLASS & HAND BLOWN GLASS

DIMENSIONS

HEIGHT 30-35 CM, DIAMETER 15 CM, WEIGHT 1.5 KG

LIGHT SOURCE

E14 FITTING

CEILING ROSE

WHITE CERAMIC CEILING PLATE : SMALL 12 CM FOR 1 LIGHT - LARGE 30 CM FOR MULTIPLE LIGHTS (3-6 LIGHTS)

ELECTRIC CORD

GOLD TWISTED CORD, STANDARD 1.5 METERS, FINISH IN BRASS

ADDITIONAL INFO

COLOURS IN CONSULTATION

STUDIO KALFF

[WWW.STUDIOKALFF.COM](http://WWW.STUDIOKALFF.COM)

ROOS KALFF  
+31 (0) 6 22 66 0992

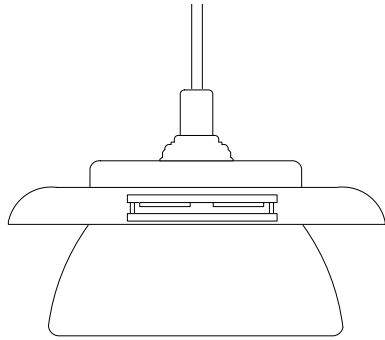
[INFO@STUDIOKALFF.COM](mailto:INFO@STUDIOKALFF.COM)

STUDIO: ZAMENHOFSTRAAT 150 / UNIT 318  
1022 AG AMSTERDAM, NL

ONLY BY APPOINTMENT

## FIRE FLY PENDANT LIGHT

---



All *Fire flies* are unique but quite similar. All are hand and custom made of vintage glass elements.

All STUDIO KALFF pieces are handmade in our Amsterdam based studio, The Netherlands.



---

STUDIO KALFF

[WWW.STUDIOKALFF.COM](http://WWW.STUDIOKALFF.COM)

ROOS KALFF  
+31 (0) 6 22 66 0992

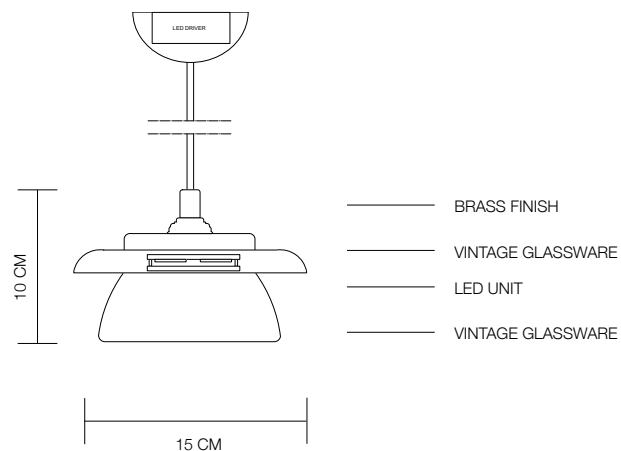
[INFO@STUDIOKALFF.COM](mailto:INFO@STUDIOKALFF.COM)

STUDIO: ZAMENHOFSTRAAT 150 / UNIT 318  
1022 AG AMSTERDAM, NL

ONLY BY APPOINTMENT

# FIRE FLY PENDANT LIGHT

---



PRODUCT NAME

*FIRE FLY PENDANT LIGHT*

MATERIAL

VINTAGE GLASS

DIMENSIONS

HEIGHT 10 CM, DIAMETER 15 CM, WEIGHT 0,8 KG

LIGHT SOURCE

DOUBLE SIDED LED UNIT, INCL. DIMMABLE DRIVER CONFORM CE STANDARD, 400 LM, 4W, COL TEMP 2200

CEILING ROSE

WHITE CERAMIC OR METAL CEILING PLATE FOR MULTIPLE LIGHTS

ELECTRIC CORD

GOLD TWISTED CORD, STANDARD 1.5 METERS, FINISH IN BRASS

ADDITIONAL INFO

---

STUDIO KALFF

[WWW.STUDIOKALFF.COM](http://WWW.STUDIOKALFF.COM)

ROOS KALFF  
+31 (0) 6 22 66 0992

[INFO@STUDIOKALFF.COM](mailto:INFO@STUDIOKALFF.COM)

STUDIO: ZAMENHOFSTRAAT 150 / UNIT 318  
1022 AG AMSTERDAM, NL

ONLY BY APPOINTMENT